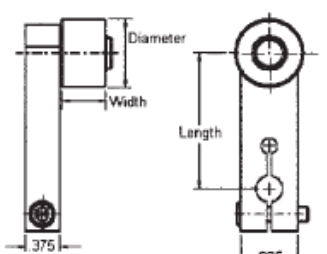


Levers for Rotary Actuated Switches

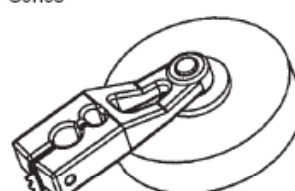
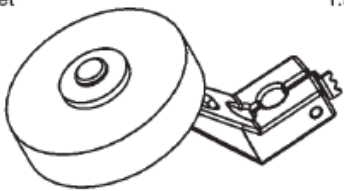
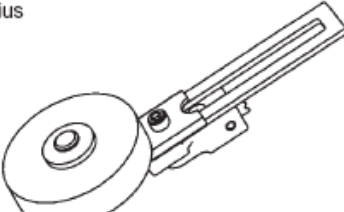
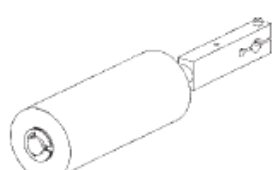
FIXED LENGTH LEVERS ORDER GUIDE

Fixed Length Levers LSZ65 Series	Lever Length (in.)	Lever Listing	For a complete listing add your choice of roller suffix			
			Roller Suffix	Dia. in.	Width in.	Material
	.88	LSZ65A _____	A	.75	.25	Nylon
	1.38	LSZ65B _____	B	.75	.25	Steel
	1.25	LSZ65L _____				
	1.50	LSZ65C _____	C	.75	.50	Nylon
	1.75	LSZ65D _____	D	.75	1.30	Nylon
	2.00	LSZ65E _____	E	1.00	.50	Nylon
	2.50	LSZ65F _____	F	1.50	.25	Nylon
	3.00	LSZ65G _____				
	4.00	LSZ65H _____				
	5.00	LSZ65J _____				
	6.00	LSZ65K _____				
				Example: LSZ65AB is a .88" long lever with a steel .75" diameter, .25" wide roller.		

RUBBER ROLLER LEVERS

Ideal for elevator or conveyor applications requiring quiet operation or protection of delicate surfaces.

ORDER GUIDE

Type	Radius (in.)	Roller Mounted On This Side Of Lever	Dia. in.	Width in.	Material	Catalog Listing
LSZ51 Series Std. Roller Lever 	1.5 1.5	Front Front	1.6 2.0	.5 .5	Rubber Rubber	LSZ51W LSZ51Y
LSZ55 Series Offset 	1.5 1.5	Front Front	1.6 2.0	.50 .50	Rubber Rubber	LSZ55W LSZ55Y
LSZ52 Series Adjustable Radius 	1.5 to 3.5 1.5 to 3.5	Front Front	1.6 2.0	.50 .50	Rubber Rubber	LSZ52W LSZ52Y
LSZ67 Series Conveyor Roller 	—	—	1.5	3.8	Plastic	LSZ67AA

Limit/Enclosed