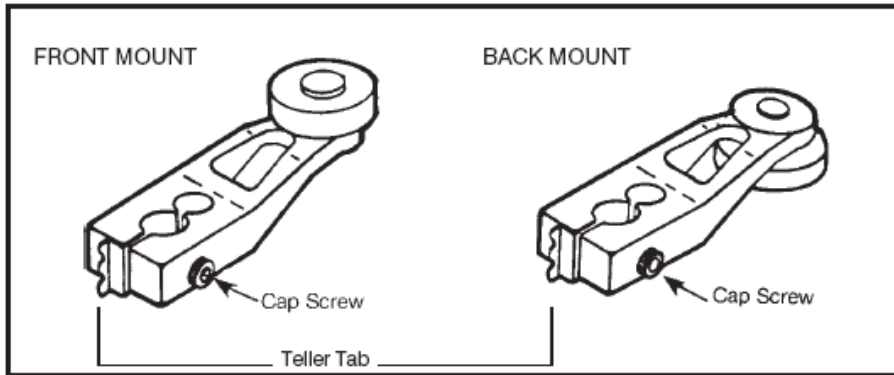


Limit and Enclosed Switches

Levers for Rotary Actuated Switches

Rollers may be mounted on the front or back side of the lever. (See below).



Levers shown in the order guides are furnished with cap screws which accommodate a 3/16-inch allen wrench.

Teller tab assures proper torque. When it cannot be moved, the lever is tight enough to prevent slippage.

TO ORDER LEVERS SEPARATELY

Catalog listings in the shaded column of the order guides are used when ordering levers as separate items, i.e., LSZ51A, LSZ53B, etc.




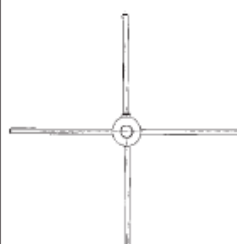
TO ORDER LEVERS WITH SWITCHES

Refer to the lefthand shaded column with dash-number suffixes to order lever and switches together. Add the appropriate suffix to the switch catalog listing.

Example:

Catalog Listing LSA1A-1B is an LSA1A switch with a standard lever which has the steel roller mounted on the front side.

ORDER GUIDE

Type	Radius (in.)	Roller Mounted On This Side Of Lever	Dia. in.	Width in.	Material	To Order Lever With Switch, Add Suffix To Switch Catalog Listing	Use These Catalog Listings To Order Levers Separately
LSZ51 Series Std. Roller Lever 	1.5	Front	.75	.25	Nylon	-1A	LSZ51A
	1.5	Front	.75	.25	Steel	-1B	LSZ51B
	1.5	Back	.75	.25	Nylon	-1C	LSZ51C
	1.5	Back	.75	.25	Steel	-1D	LSZ51D
	1.5	Front	1.0	.50	Nylon	-1F	LSZ51F
	1.5	Front	1.5	.25	Nylon	-1G	LSZ51G
	1.5	Back	1.0	.50	Nylon	-1J	LSZ51J
	1.5	Back	.75	.25	Ball Bearing	-1L	LSZ51L
	1.5	Back	.75	1.30	Nylon	-1M	LSZ51M
	1.5	Back	.75	.375	Stainless	-1T	LSZ51T
	1.5	Front	.75	.50	Nylon	-1P	LSZ51P
1.5	Front	1.59	.25	Nylon	-1R	LSZ51R	
1.5	—	—	—	Less Roller	—	LSZ51	
LSZ53 Series Yoke 	1.5	Front-Back	.75	.25	Nylon	-3A	LSZ53A
	1.5	Front-Back	.75	.25	Steel	-3B	LSZ53B
	1.5	Front-Front	.75	.25	Steel	-3D	LSZ53D
	1.5	Back-Front	.75	.25	Nylon	-3E	LSZ53E
	1.5	Back-Back	.75	.25	Nylon	-3S	LSZ53S
	1.5	Back-Back	.75	.25	Steel	-3P	LSZ53P
	1.5	Back-Front	.75	.25	Steel	-3U	LSZ53U
	1.5	Back-Front	.75	1.25	Nylon	-3M	LSZ53M
	1.5	—	—	—	Less Rollers	—	LSZ53
LSZ55 Series Offset 	1.5	—	—	—	Less Roller	—	LSZ55
	1.5	Back	.75	.25	Nylon	-5A	LSZ55A
	1.5	Back	.75	.25	Steel	-5B	LSZ55B
	1.5	Front	.75	.25	Nylon	-5C	LSZ55C
	1.5	Front	.75	.25	Steel	-5D	LSZ55D
	1.5	Front	.75	.50	Nylon	-5E	LSZ55E
	1.5	Front	1.5	.25	Nylon	-5K	LSZ55K
1.5	Front	1.0	.50	Nylon	-5F	LSZ55F	
LSZ69 Series* Spoke 	—	—	6.0	—	Stainless (fixed)	—	LSZ69AA
	—	—	6.0	—	Stainless (spokes replaceable)	—	LSZ69BA

*For use with LSQ300 Series. Hub is aluminum. See page A59 for dimensions.

Limit/Enclosed